

По вопросам продаж и поддержки обращайтесь:

Архангельск (8182)63-90-72
Астана +7(7172)727-132
Белгород (4722)40-23-64
Брянск (4832)59-03-52
Владивосток (423)249-28-31
Волгоград (844)278-03-48
Вологда (8172)26-41-59
Воронеж (473)204-51-73
Екатеринбург (343)384-55-89
Иваново (4932)77-34-06
Ижевск (3412)26-03-58
Казань (843)206-01-48

Калининград (4012)72-03-81
Калуга (4842)92-23-67
Кемерово (3842)65-04-62
Киров (8332)68-02-04
Краснодар (861)203-40-90
Красноярск (391)204-63-61
Курск (4712)77-13-04
Липецк (4742)52-20-81
Магнитогорск (3519)55-03-13
Москва (495)268-04-70
Мурманск (8152)59-64-93
Набережные Челны (8552)20-53-41

Нижний Новгород (831)429-08-12
Новокузнецк (3843)20-46-81
Новосибирск (383)227-86-73
Орел (4862)44-53-42
Оренбург (3532)37-68-04
Пенза (8412)22-31-16
Пермь (342)205-81-47
Ростов-на-Дону (863)308-18-15
Рязань (4912)46-61-64
Самара (846)206-03-16
Санкт-Петербург (812)309-46-40
Саратов (845)249-38-78

Смоленск (4812)29-41-54
Сочи (862)225-72-31
Ставрополь (8652)20-65-13
Тверь (4822)63-31-35
Томск (3822)98-41-53
Тула (4872)74-02-29
Тюмень (3452)66-21-18
Ульяновск (8422)24-23-59
Уфа (347)229-48-12
Челябинск (351)202-03-61
Череповец (8202)49-02-64
Ярославль (4852)69-52-93

Единый адрес для всех регионов: crw@nt-rt.ru || www.cowell.nt-rt.ru

CWK50J Series Fuel Dispenser



CWK50J111

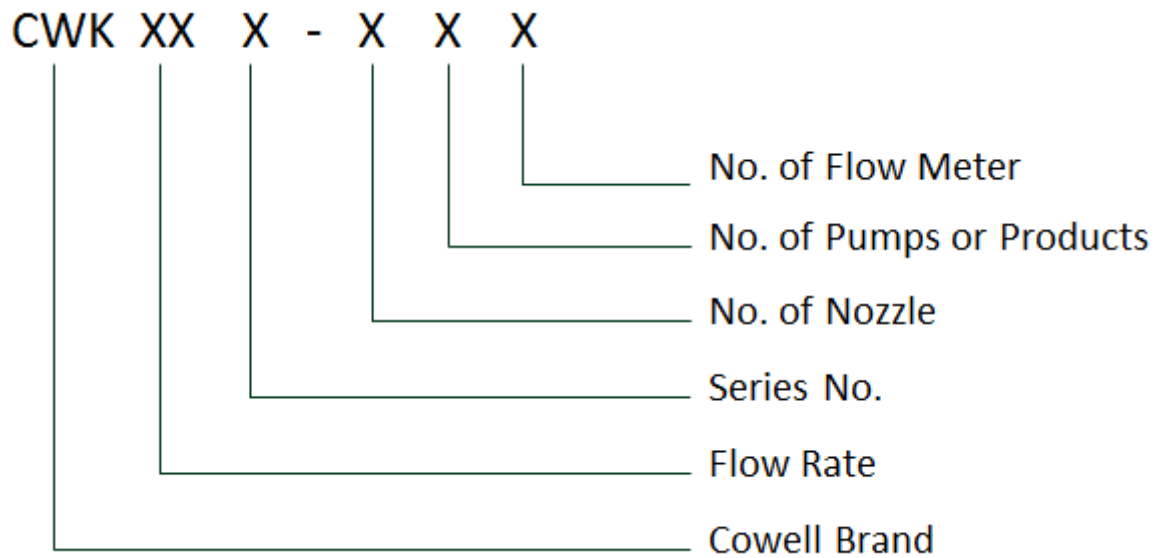


CWK50J212

| Standard Components | |
|---------------------|-------------------------|
| Components : | Model |
| Flow Meter : | MJ-55 Flow Meter |
| Pump : | ZCH-50 Gear Pump |
| Ex-proof Motor : | AC380V±20% 50Hz |
| Hose: | ¾” 4M |
| Nozzle: | TD-20A Automatic Nozzle |

| Option | |
|---------------------|--|
| Flow Meter & Pump : | MJ-65 Flow Meter & ZYB-50 Vane Pump MJ-85S Flow Meter & ZCB-90 Gear Pump MJ-85S Flow Meter & QYB-240R Submersible Pump |
| Ex-proof Motor : | AC220V±20% 50Hz or 60Hz |
| Nozzle : | XIDE-80 Automatic Nozzle |
| Breakaway : | Yes |
| Swivel: | Yes |

Model Description



| Technical Specification | |
|-------------------------|---|
| Accuracy : | ±0.3% |
| Delivery Rate: | 5 ~ 50L/min; |
| Vacuum : | ≥ 0.06 MPa |
| Register Range : | 0.00~999999.99 L |
| Totalizer Range : | 0.00~9999999999.99 L |
| Pre-settting Range: | 1.00~99999L |
| Rating Power: | 0.75KW |
| Power: | AC380±20% 50/60±1Hz AC220 ±20% 50/60±1Hz |
| Ex-proof Motor: | AC380±20% 50/60Hz 0.75Kw AC220 ±20% 50/60Hz 0.75Kw |
| Ambient Humidity: | 30%—90% |
| Temperature: | -40°C~ 60°C |

CWK50ExxxY Series Fuel Dispenser



CWK50E111Y



CWK50E212/222Y

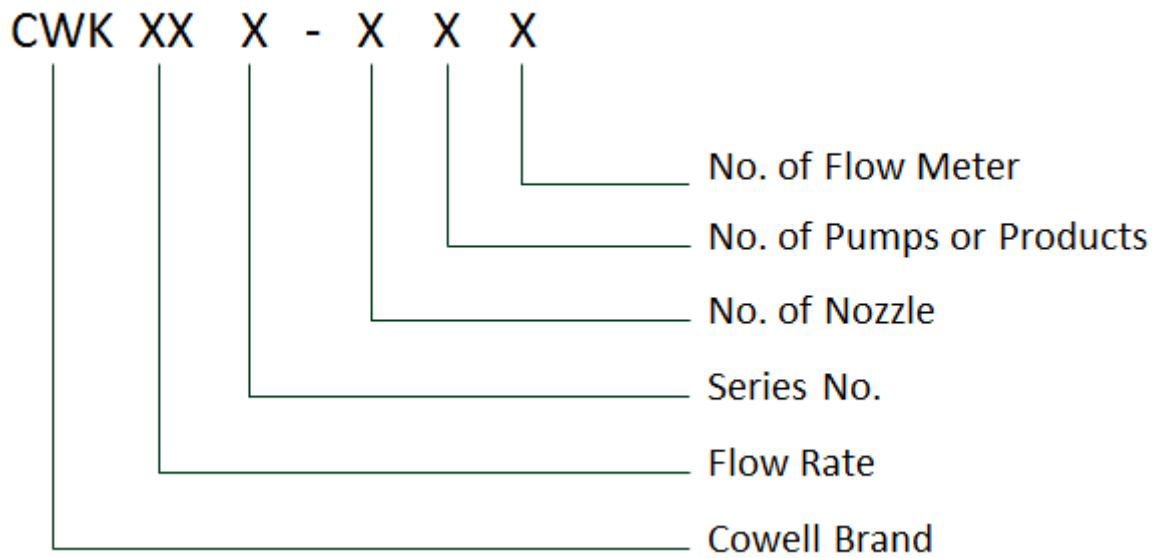
Standard Components

| | |
|------------------|-------------------------|
| Components : | Model |
| Flow Meter : | MJ-65 Flow Meter |
| Pump : | ZYB-50 Vane Pump |
| Ex-proof Motor : | AC380V±20% 50Hz |
| Hose: | ¾" 4M |
| Nozzle: | TD-20A Automatic Nozzle |

Option

| | |
|---------------------|--|
| Flow Meter & Pump : | MJ-55 Flow Meter & ZCH-50 Gear Pump MJ-85S Flow Meter & ZCB-90 Gear Pump MJ-85S Flow Meter & QYB-240R Submersible Pump |
| Ex-proof Motor : | AC220V±20% 50Hz or 60Hz |
| Nozzle : | XIDE-80 Automatic Nozzle |
| Breakaway : | Yes |
| Swivel: | Yes |

Model Description



| Technical Specification | |
|-------------------------|---|
| Accuracy : | ±0.3% |
| Delivery Rate: | 5 ~ 50L/min; |
| Vacuum : | ≥ 0.06 MPa |
| Register Range : | 0.00~999999.99 L |
| Totalizer Range : | 0.00~9999999999.99 L |
| Pre-settting Range: | 1.00~99999L |
| Rating Power: | 0.75KW |
| Power: | AC380±20% 50/60±1Hz AC220 ±20% 50/60±1Hz |
| Ex-proof Motor: | AC380±20% 50/60Hz 0.75Kw AC220 ±20% 50/60Hz 0.75Kw |
| Ambient Humidity: | 30% – 90% |
| Temperature: | -40°C~ 60°C |

CWK50ExxxT Series Fuel Dispenser



CWK50E111T



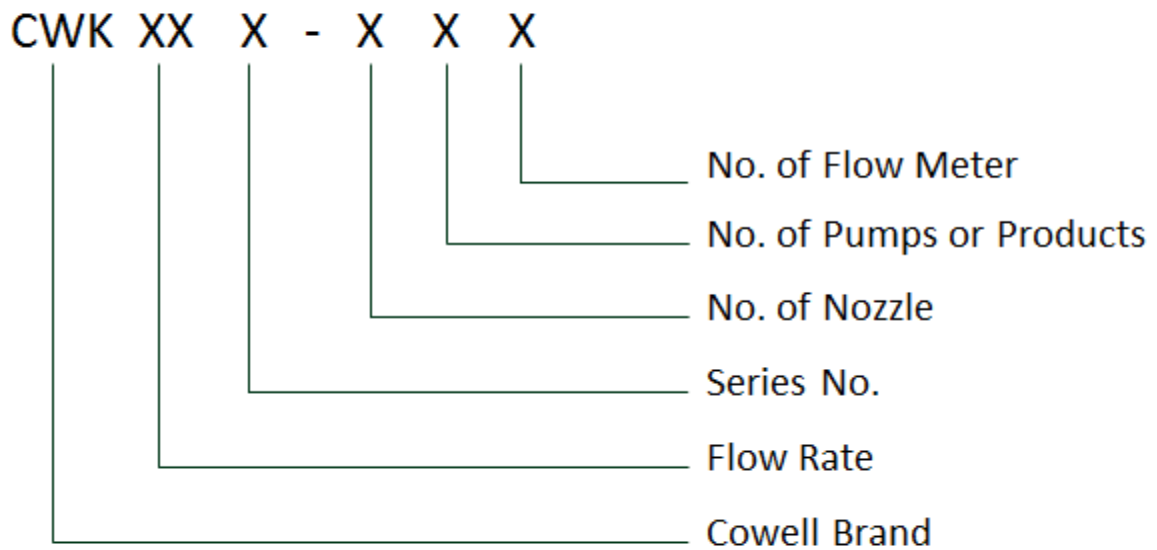
CWK50E212/222T

Standard Components

| | |
|------------------|-------------------------|
| Components : | Model |
| Flow Meter : | MJ-65 Flow Meter |
| Pump : | ZYB-50 Vane Pump |
| Ex-proof Motor : | AC380V±20% 50Hz |
| Hose: | ¾" 4M |
| Nozzle: | TD-20A Automatic Nozzle |

| Option | |
|---------------------|--|
| Flow Meter & Pump : | MJ-55 Flow Meter & ZCH-50 Gear Pump MJ-85S Flow Meter & ZCB-90 Gear Pump MJ-85S Flow Meter & QYB-240R Submersible Pump |
| Ex-proof Motor : | AC220V±20% 50Hz or 60Hz |
| Nozzle : | XIDE-80 Automatic Nozzle |
| Breakaway : | Yes |
| Swivel: | Yes |

Model Description



| Technical Specification | |
|-------------------------|---|
| Accuracy : | ±0.3% |
| Delivery Rate: | 5 ~ 50L/min; |
| Vacuum : | ≥ 0.06 MPa |
| Register Range : | 0.00~999999.99 L |
| Totalizer Range : | 0.00~9999999999.99 L |
| Pre-setting Range: | 1.00~99999L |
| Rating Power: | 0.75KW |
| Power: | AC380±20% 50/60±1Hz AC220 ±20% 50/60±1Hz |
| Ex-proof Motor: | AC380±20% 50/60Hz 0.75Kw AC220 ±20% 50/60Hz 0.75Kw |
| Ambient Humidity: | 30% – 90% |
| Temperature: | -40°C~ 60°C |

CWK50L Series Fuel Dispenser



CWK50L111

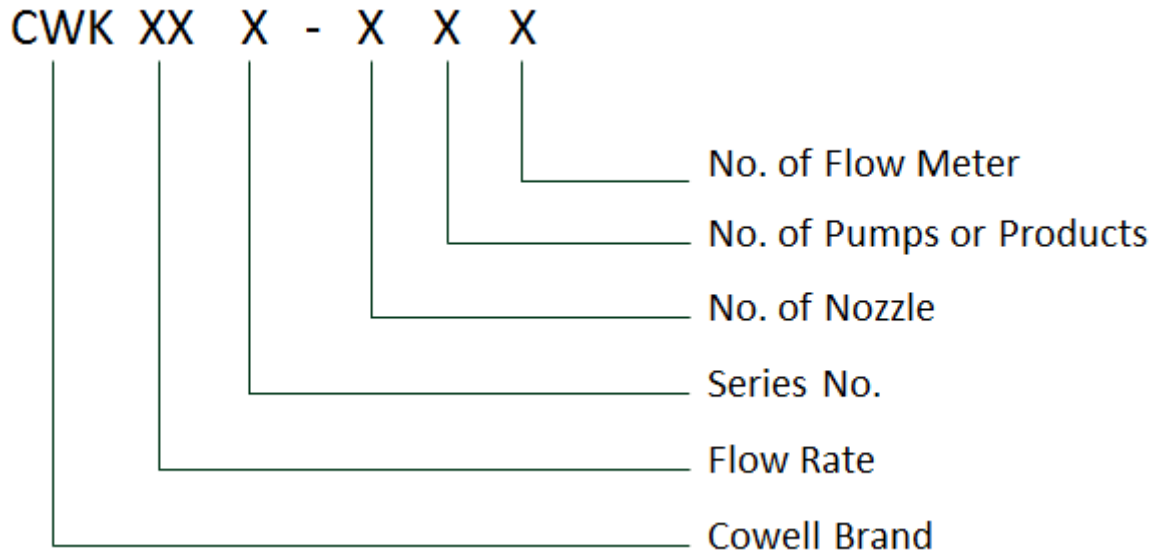
Standard Components

| | |
|------------------|-------------------------|
| Components : | Model |
| Flow Meter : | MJ-65 Flow Meter |
| Pump : | ZYB-50 Vane Pump |
| Ex-proof Motor : | AC380V±20% 50Hz |
| Hose: | ¾" 4M |
| Nozzle: | TD-20A Automatic Nozzle |

Option

| | |
|---------------------|--|
| Flow Meter & Pump : | MJ-55 Flow Meter & ZCH-50 Gear Pump MJ-85S Flow Meter & ZCB-90 Gear Pump MJ-85S Flow Meter & QYB-240R Submersible Pump |
| Ex-proof Motor : | AC220V±20% 50Hz or 60Hz |
| Nozzle : | XIDE-80 Automatic Nozzle |
| Breakaway : | Yes |
| Swivel: | Yes |

Model Description



| Technical Specification | |
|-------------------------|---|
| Accuracy : | ±0.3% |
| Delivery Rate: | 5 ~ 50L/min; |
| Vacuum : | ≥ 0.06 MPa |
| Register Range : | 0.00~999999.99 L |
| Totalizer Range : | 0.00~9999999999.99 L |
| Pre-setting Range: | 1.00~99999L |
| Rating Power: | 0.75KW |
| Power: | AC380±20% 50/60±1Hz AC220 ±20% 50/60±1Hz |
| Ex-proof Motor: | AC380±20% 50/60Hz 0.75Kw AC220 ±20% 50/60Hz 0.75Kw |
| Ambient Humidity: | 30%—90% |
| Temperature: | -40°C~ 60°C |

CWK50C Series Fuel Dispenser



CWK50C111

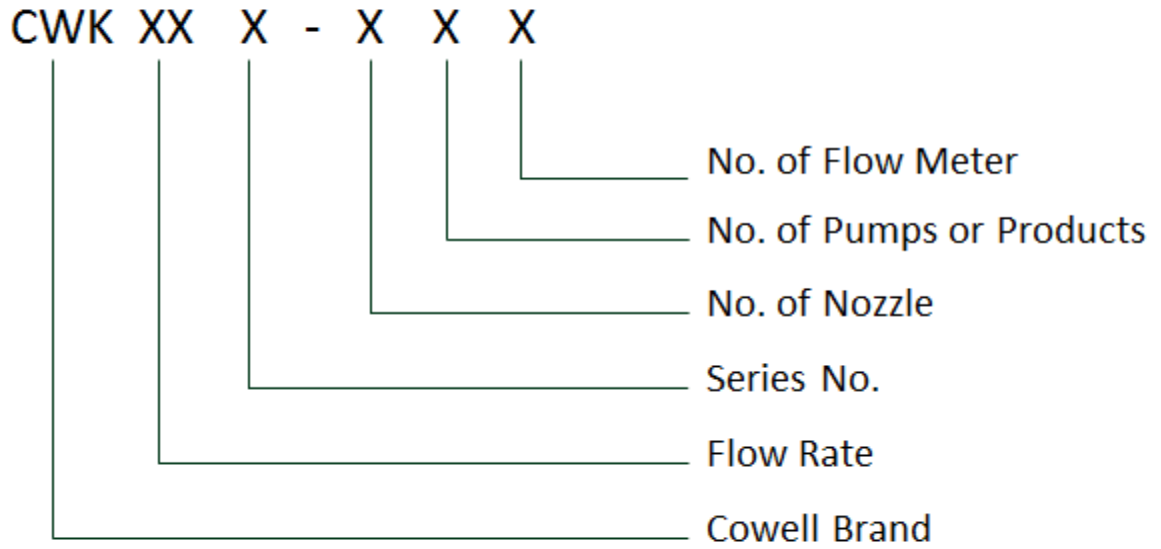


CWK50C222

| Standard Components | |
|---------------------|-------------------------|
| Components : | Model |
| Flow Meter : | MJ-65 Flow Meter |
| Pump : | ZYB-50 Vane Pump |
| Ex-proof Motor : | AC380V±20% 50Hz |
| Hose: | ¾" 4M |
| Nozzle: | TD-20A Automatic Nozzle |

| Option | |
|---------------------|--|
| Flow Meter & Pump : | MJ-85S Flow Meter & ZCB-90 Gear Pump MJ-55 Flow Meter & ZCH-50 Gear Pump MJ-85S Flow Meter & QYB-240R Submersible Pump |
| Ex-proof Motor : | AC220V±20% 50Hz or 60Hz |
| Nozzle : | XIDE-80 Automatic Nozzle |
| Breakaway : | Yes |
| Swivel: | Yes |

Model Description



| Technical Specification | |
|-------------------------|---|
| Accuracy : | ±0.3% |
| Delivery Rate: | 5 ~ 50L/min; |
| Vacuum : | ≥ 0.06 MPa |
| Register Range : | 0.00~999999.99 L |
| Totalizer Range : | 0.00~9999999999.99 L |
| Pre-setting Range: | 1.00~99999L |
| Rating Power: | 0.75KW |
| Power: | AC380±20% 50/60±1Hz AC220 ±20% 50/60±1Hz |
| Ex-proof Motor: | AC380±20% 50/60Hz 0.75Kw AC220 ±20% 50/60Hz 0.75Kw |
| Ambient Humidity: | 30%—90% |
| Temperature: | -40°C~ 60°C |

CWK50/90JxxxH Series Fuel Dispenser

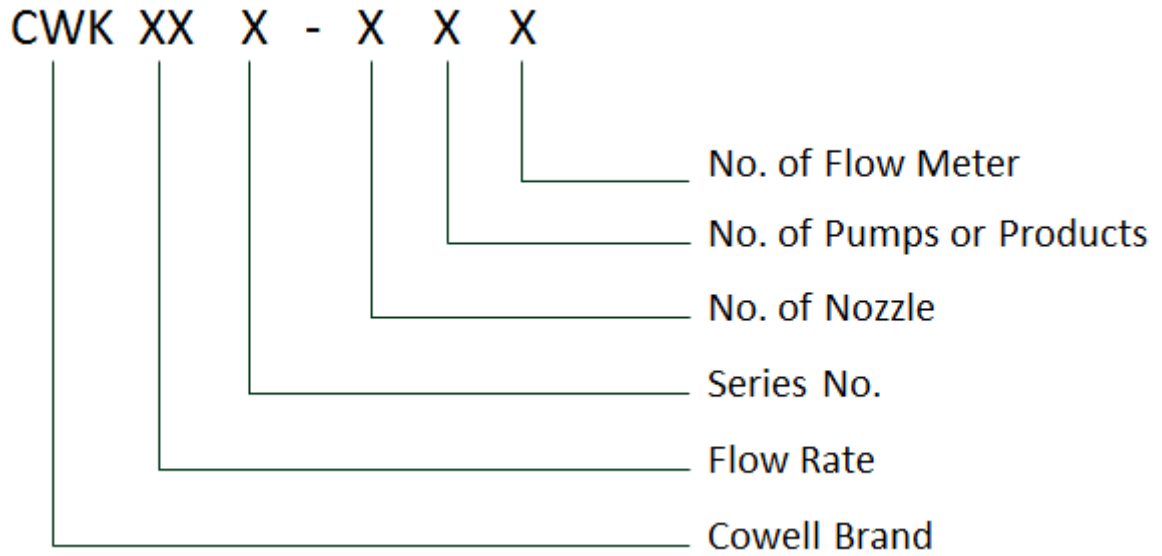


CWK90J222H

| Standard Components | |
|---------------------|-----------------------------------|
| Components : | Model |
| Flow Meter : | MJ-85S Flow Meter |
| Pump : | ZCB-90 Gear Pump |
| Ex-proof Motor : | AC380V±20% 50Hz |
| Hose: | ¾" 4M |
| Nozzle: | TD-20A or MD-120 Automatic Nozzle |

| Option | |
|---------------------|---|
| Flow Meter & Pump : | MJ-65 Flow Meter & ZYB-50 Vane Pump MJ-55 Flow Meter & ZCH-50 Gear Pump MJ-85S Flow Meter & QYB-240R Submersible Pump |
| Ex-proof Motor : | AC220V±20% 50Hz or 60Hz |
| Nozzle : | XIDE-80 or XIDE-120 Automatic Nozzle |
| Breakaway : | Yes |
| Swivel: | Yes |

Model Description



| Technical Specification | |
|-------------------------|---|
| Accuracy : | ±0.3% |
| Delivery Rate: | 5 ~ 50L/min; |
| Vacuum : | ≥ 0.06 MPa |
| Register Range : | 0.00~999999.99 L |
| Totalizer Range : | 0.00~9999999999.99 L |
| Pre-settting Range: | 1.00~99999L |
| Rating Power: | 0.75KW |
| Power: | AC380±20% 50/60±1Hz AC220 ±20% 50/60±1Hz |
| Ex-proof Motor: | AC380±20% 50/60Hz 0.75Kw AC220 ±20% 50/60Hz 0.75Kw |
| Ambient Humidity: | 30%—90% |
| Temperature: | -40°C~ 60°C |

CWK50/90D Series Fuel Dispenser



CWK50D424



CWK50D636

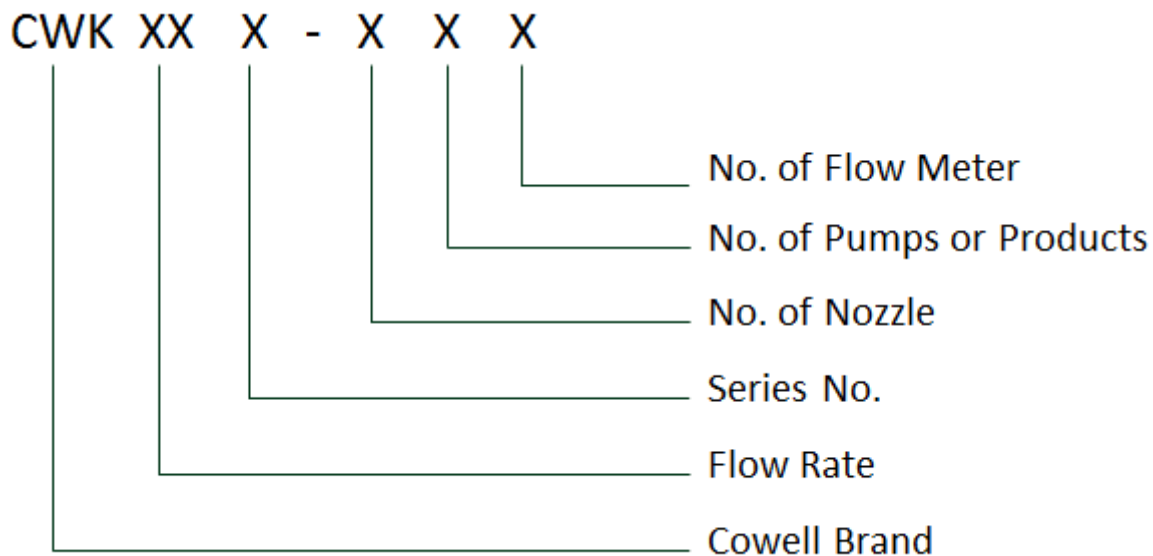
Standard Components

| | |
|------------------|-----------------------------------|
| Components : | Model |
| Flow Meter : | MJ-65 Flow Meter |
| Pump : | ZYB-50 Vane Pump |
| Ex-proof Motor : | AC380V±20% 50Hz |
| Hose: | ¾" 4M |
| Nozzle: | TD-20A or MD-120 Automatic Nozzle |

Option

| | |
|---------------------|---|
| Flow Meter & Pump : | MJ-85 Flow Meter & ZCB-90 Gear Pump MJ-55 Flow Meter & ZCH-50 Gear Pump MJ-85S Flow Meter & QYB-240R Submersible Pump |
| Ex-proof Motor : | AC220V±20% 50Hz or 60Hz |
| Nozzle : | XIDE-80 or XIDE-120 Automatic Nozzle |
| Breakaway : | Yes |
| Swivel: | Yes |

Model Description



| Technical Specification | |
|-------------------------|---|
| Accuracy : | ±0.3% |
| Delivery Rate: | 5 ~ 50L/min; |
| Vacuum : | ≥ 0.06 MPa |
| Register Range : | 0.00~999999.99 L |
| Totalizer Range : | 0.00~9999999999.99 L |
| Pre-setting Range: | 1.00~99999L |
| Rating Power: | 0.75KW |
| Power: | AC380±20% 50/60±1Hz AC220 ±20% 50/60±1Hz |
| Ex-proof Motor: | AC380±20% 50/60Hz 0.75Kw AC220 ±20% 50/60Hz 0.75Kw |
| Ambient Humidity: | 30%—90% |
| Temperature: | -40°C~ 60°C |

CWK50F Series Fuel Dispenser



CWK50F424



CWK50F636

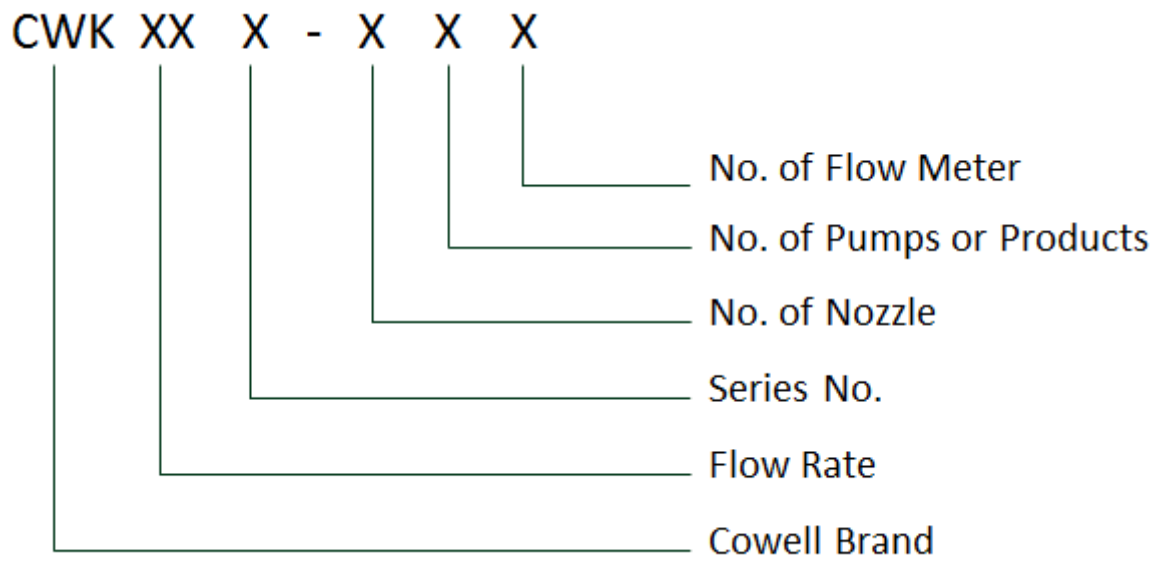
Standard Components

| Components : | Model |
|------------------|-------------------------|
| Flow Meter : | MJ-65 Flow Meter |
| Pump : | ZYB-50 Vane Pump |
| Ex-proof Motor : | AC380V±20% 50Hz |
| Hose: | ¾" 4M |
| Nozzle: | TD-20A Automatic Nozzle |

Option

| | |
|---------------------|--|
| Flow Meter & Pump : | MJ-85S Flow Meter & ZCB-90 Gear Pump MJ-55 Flow Meter & ZCH-50 Gear Pump MJ-85S Flow Meter & QYB-240R Submersible Pump |
| Ex-proof Motor : | AC220V±20% 50Hz or 60Hz |
| Nozzle : | XIDE-80 Automatic Nozzle |
| Breakaway : | Yes |
| Swivel: | Yes |

Model Description



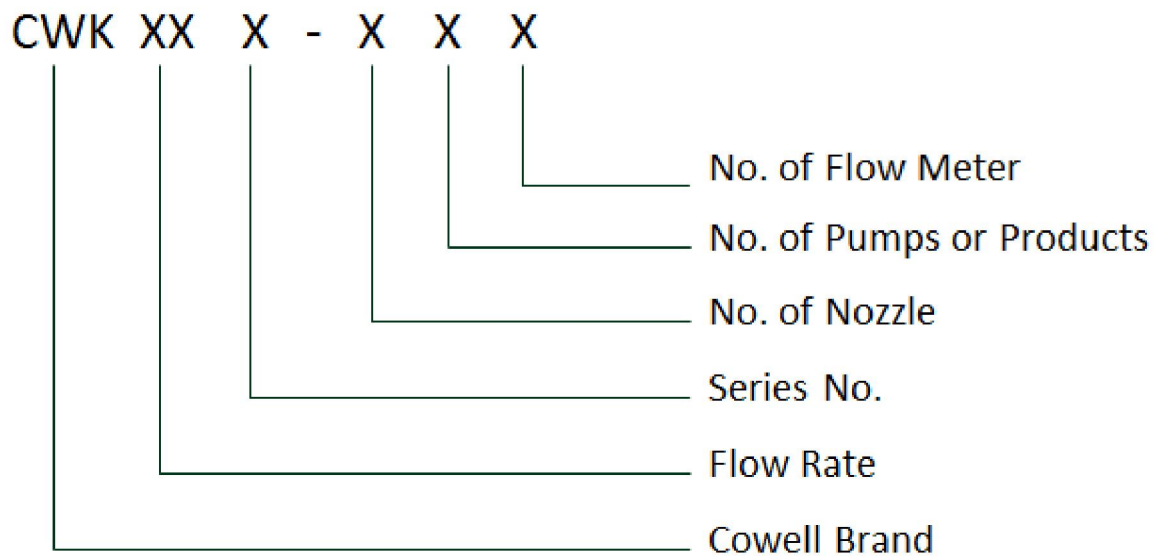
| Technical Specification | |
|-------------------------|---|
| Accuracy : | ±0.3% |
| Delivery Rate: | 5 ~ 50L/min; |
| Vacuum : | ≥ 0.06 MPa |
| Register Range : | 0.00~999999.99 L |
| Totalizer Range : | 0.00~9999999999.99 L |
| Pre-setting Range: | 1.00~99999L |
| Rating Power: | 0.75KW |
| Power: | AC380±20% 50/60±1Hz AC220 ±20% 50/60±1Hz |
| Ex-proof Motor: | AC380±20% 50/60Hz 0.75Kw AC220 ±20% 50/60Hz 0.75Kw |
| Ambient Humidity: | 30%—90% |
| Temperature: | -40°C~ 60°C |

CWK150H Series Fuel Dispenser



| Components | | |
|-------------|-------------------------|-------------------------|
| | CWK150H-111 | CWK250H-111 |
| Flow Rate : | 90~150L/Min | 150-250L/Min |
| Motor : | SM-50-1 | M-40-1 |
| | SUB-40 | SUB-50 |
| Motor : | 1.5KW AC380V±20% 50Hz | 2.2KW AC380V±20% 50Hz |
| | 1.5" 6M | 1.5" 6M |
| | MD-200 Automatic Nozzle | MD-200 Automatic Nozzle |

Model Description



| Technical Specification | |
|-------------------------|---|
| Accuracy : | ±0.3% |
| Delivery Rate: | 5 ~ 90L/min; 90~150L/min; 150~250L/min |
| Vacuum : | ≥ 0.06 MPa |
| Register Range : | 0.00~999999.99 L |
| Totalizer Range : | 0.00~9999999999.99 L |
| Pre-setting Range: | 1.00~99999L |
| Rating Power: | 0.75KW, 1.5KW, 2.2KW |
| Power: | AC380±20% 50/60±1Hz AC220 ±20% 50/60±1Hz |
| Ex-proof Motor: | AC380±20% 50/60Hz 0.75Kw AC220 ±20% 50/60Hz 0.75Kw |
| Ambient Humidity: | 30%—90% |
| Temperature: | -40°C~ 60°C |

По вопросам продаж и поддержки обращайтесь:

Архангельск (8182)63-90-72
Астана +7(7172)727-132
Белгород (4722)40-23-64
Брянск (4832)59-03-52
Владивосток (423)249-28-31
Волгоград (844)278-03-48
Вологда (8172)26-41-59
Воронеж (473)204-51-73
Екатеринбург (343)384-55-89
Иваново (4932)77-34-06
Ижевск (3412)26-03-58
Казань (843)206-01-48

Калининград (4012)72-03-81
Калуга (4842)92-23-67
Кемерово (3842)65-04-62
Киров (8332)68-02-04
Краснодар (861)203-40-90
Красноярск (391)204-63-61
Курск (4712)77-13-04
Липецк (4742)52-20-81
Магнитогорск (3519)55-03-13
Москва (495)268-04-70
Мурманск (8152)59-64-93
Набережные Челны (8552)20-53-41

Нижний Новгород (831)429-08-12
Новокузнецк (3843)20-46-81
Новосибирск (383)227-86-73
Орел (4862)44-53-42
Оренбург (3532)37-68-04
Пенза (8412)22-31-16
Пермь (342)205-81-47
Ростов-на-Дону (863)308-18-15
Рязань (4912)46-61-64
Самара (846)206-03-16
Санкт-Петербург (812)309-46-40
Саратов (845)249-38-78

Смоленск (4812)29-41-54
Сочи (862)225-72-31
Ставрополь (8652)20-65-13
Тверь (4822)63-31-35
Томск (3822)98-41-53
Тула (4872)74-02-29
Тюмень (3452)66-21-18
Ульяновск (8422)24-23-59
Уфа (347)229-48-12
Челябинск (351)202-03-61
Череповец (8202)49-02-64
Ярославль (4852)69-52-93

Единый адрес для всех регионов: crw@nt-rt.ru || www.cowell.nt-rt.ru